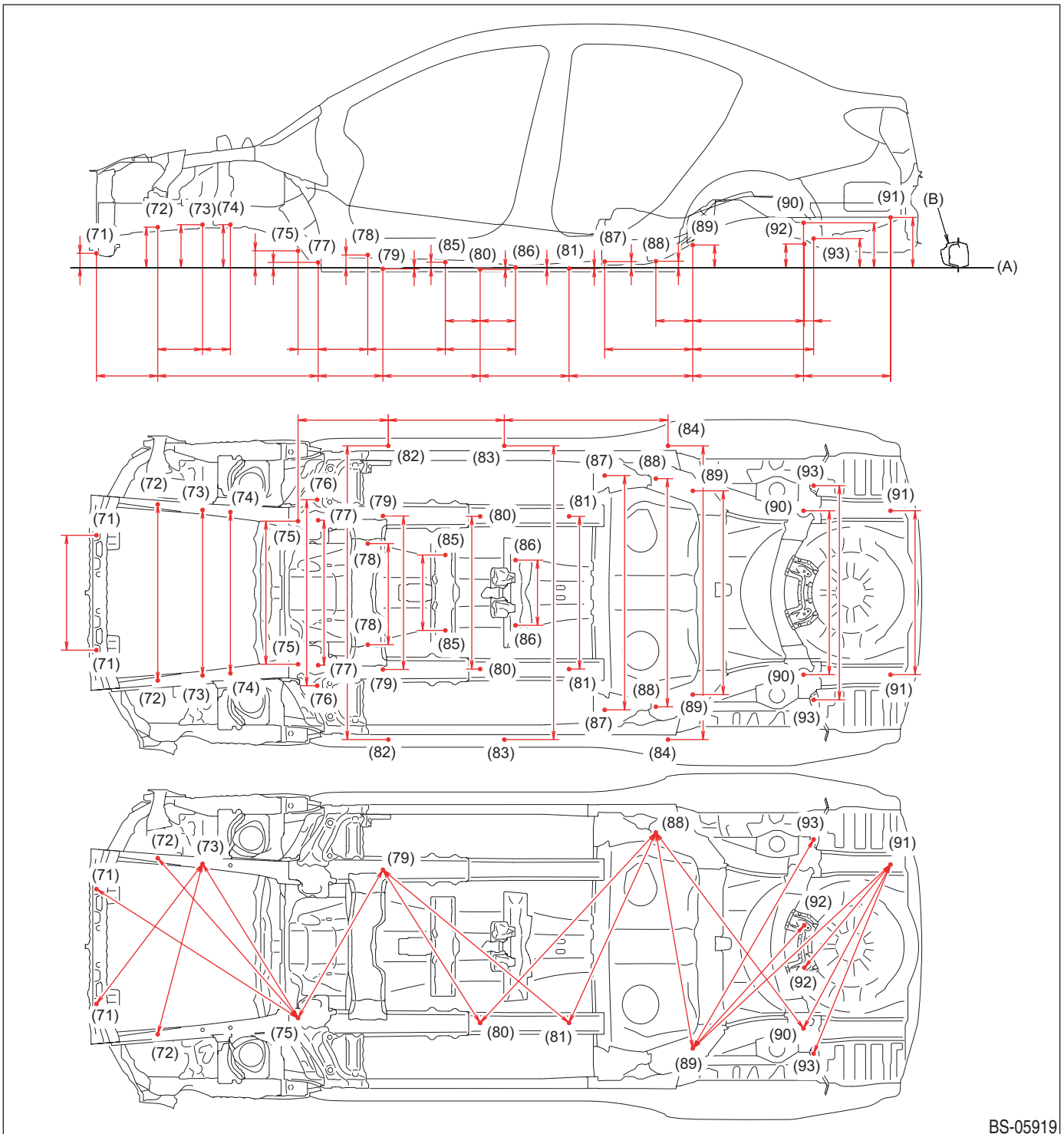


Body Reference Points

5. Body Reference Points

A: DIMENSIONS

1. LOWER SURFACE



BS-05919

- The longitudinal dimensions are projected dimensions.
- The height dimensions are the vertical distances from the gauge point on the assumed horizontal line through the side sill flange joint (bending angle point).
- Diagonal dimensions are the actual dimensions between reference points.

Body Reference Points

- | | | |
|---|---|---|
| <p>(A) Standard line</p> <p>(71) Bracket center lower mounting hole (symmetrical)</p> <p>(72) Radio ground mounting hole (symmetrical)</p> <p>(73) Front cross member mounting hole (symmetrical), front</p> <p>(74) Front cross member mounting hole (symmetrical), rear</p> <p>(75) Front suspension arm mounting hole (symmetrical)</p> <p>(76) Front suspension plate mounting hole (symmetrical), outer side</p> <p>(77) Front suspension plate mounting hole (symmetrical), inner side</p> <p>(78) MT cross member mounting hole aR (right side)</p> <p>(78) MT cross member mounting hole aL (left side)</p> | <p>(B) Side sill outer panel</p> <p>(78) CVT cross member mounting hole bR (right side)</p> <p>(78) CVT cross member mounting hole bL (left side)</p> <p>(79) Under cover mounting hole (symmetrical)</p> <p>(80) Under cover mounting hole (symmetrical)</p> <p>(81) Under cover mounting hole (symmetrical)</p> <p>(82) Side spoiler mounting hole (symmetrical)</p> <p>(83) Side spoiler mounting hole (symmetrical)</p> <p>(84) Air flap mounting hole (symmetrical)</p> <p>(85) Gauge hole (symmetrical)</p> | <p>(86) Exhaust cover mounting hole (symmetrical)</p> <p>(87) Gauge hole (symmetrical)</p> <p>(88) Rear suspension support sub frame mounting hole (symmetrical)</p> <p>(89) Rear suspension cross member mounting hole (symmetrical)</p> <p>(90) Rear suspension cross member mounting hole (symmetrical)</p> <p>(91) Gauge hole (symmetrical)</p> <p>(92) Support sub frame mounting hole (symmetrical)</p> <p>(93) Support sub frame mounting hole (symmetrical)</p> |
|---|---|---|

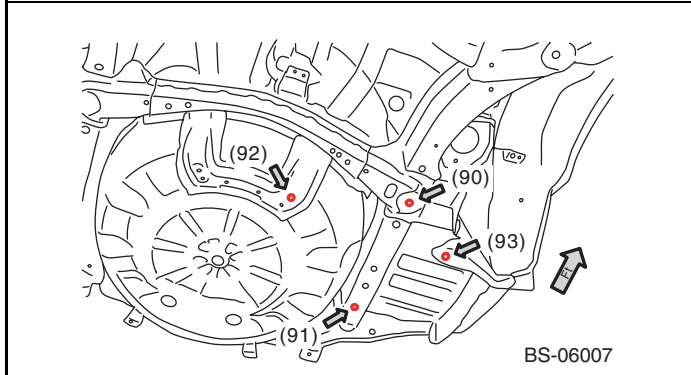
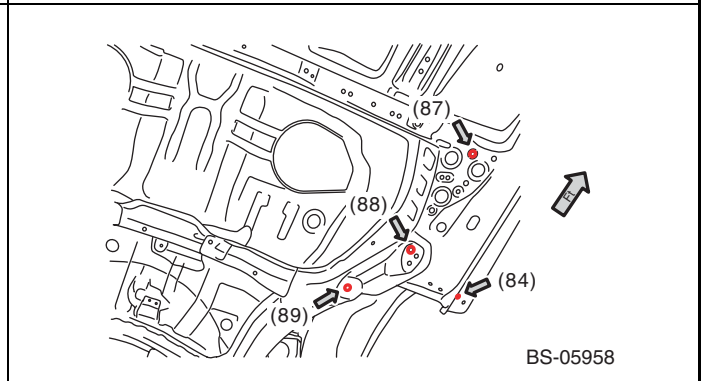
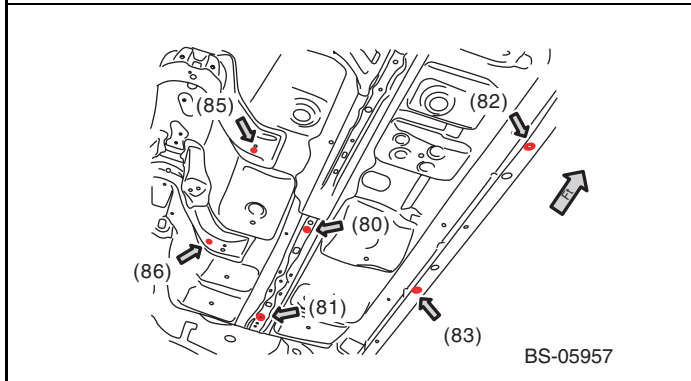
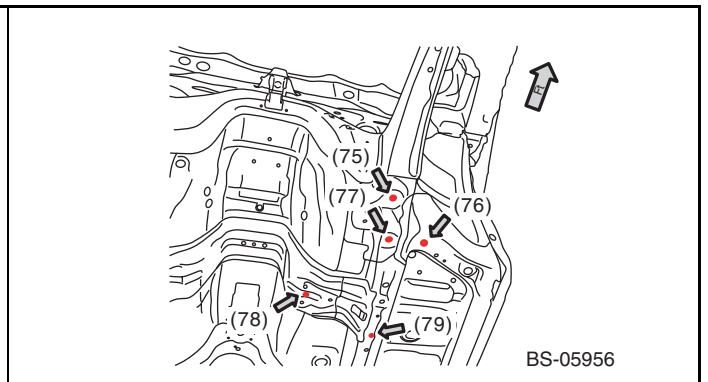
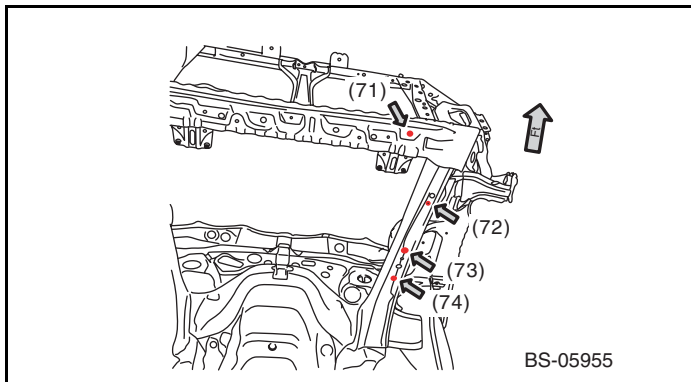
Measuring point	Datum dimension mm (in)	Projected dimensions mm (in)
Datum line — (71)	75(2.95)	—
Datum line — (72)	210(8.27)	—
Datum line — (73)	223(8.78)	—
Datum line — (74)	223(8.78)	—
Datum line — (75)	88(3.46)	—
Datum line — (77)	28(1.10)	—
Datum line — (78)aR	66(2.60)	—
Datum line — (78)aL	60(2.36)	—
Datum line — (78)bR	66(2.60)	—
Datum line — (78)bL	60(2.36)	—
Datum line — (79)	-6(-0.24)	—
Datum line — (80)	-9(-0.35)	—
Datum line — (81)	-5(-0.20)	—
Datum line — (85)	29(1.14)	—
Datum line — (86)	2(0.08)	—
Datum line — (87)	32(1.26)	—
Datum line — (88)	34(1.34)	—
Datum line — (89)	118(4.65)	—
Datum line — (90)	233(9.17)	—
Datum line — (91)	260(10.24)	—
Datum line — (92)	123(4.84)	—
Datum line — (93)	151(5.94)	—
(71) — (72)	317(12.48)	—
(72) — (73)	232(9.13)	—
(72) — (77)	830(32.68)	—
(73) — (74)	144(5.67)	—
(75) — (77)	104(4.09)	—
(77) — (78)aR	257(10.12)	—
(77) — (78)bR	357(14.06)	—

Measuring point	Datum dimension mm (in)	Projected dimensions mm (in)
(77) — (79)	335(13.19)	—
(78)aR — (85)	402(15.83)	—
(78)bR — (85)	302(11.89)	—
(79) — (80)	503(19.80)	—
(80) — (81)	460(18.11)	—
(80) — (85)	180(7.09)	—
(80) — (86)	183(7.20)	—
(81) — (89)	640(25.20)	—
(85) — (86)	363(14.29)	—
(87) — (89)	456(17.95)	—
(88) — (89)	191(7.52)	—
(89) — (90)	573(22.56)	—
(89) — (92)	577(22.72)	—
(89) — (93)	625(24.61)	—
(90) — (91)	450(17.72)	—
(92) — (93)	48(1.89)	—
(75) — (82)	467(18.39)	—
(82) — (83)	600(23.62)	—
(83) — (84)	847(33.35)	—
(71)R — (71)L	600(23.62)	—
(72)R — (72)L	914(35.98)	—
(73)R — (73)L	862(33.94)	—
(74)R — (74)L	840(33.07)	—
(75)R — (75)L	746(29.37)	—
(76)R — (76)L	968(38.11)	—
(77)R — (77)L	756(29.76)	—
(78)aR — (78)aL	376(14.80)	—
(78)bR — (78)bL	361(14.21)	—
(79)R — (79)L	800(31.50)	—

Body Reference Points

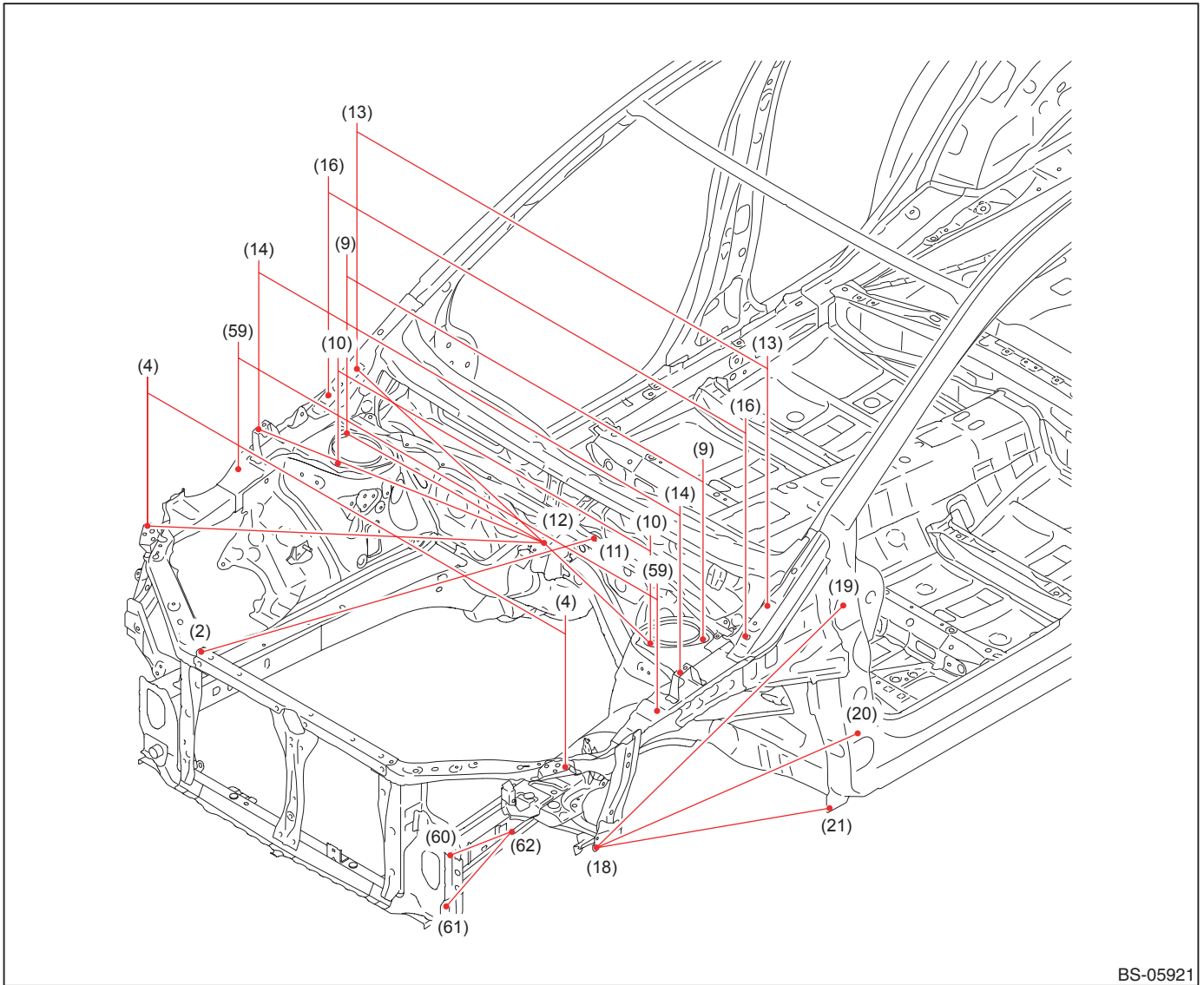
Measuring point	Datum dimension mm (in)	Projected dimen- sions mm (in)
(80)R — (80)L	796(31.34)	—
(81)R — (81)L	796(31.34)	—
(82)R — (82)L	1,525(60.04)	—
(83)R — (83)L	1,525(60.04)	—
(84)R — (84)L	1,516(59.68)	—
(85)R — (85)L	396(15.59)	—
(86)R — (86)L	343(13.50)	—
(87)R — (87)L	1,220(48.03)	—
(88)R — (88)L	1,186(46.69)	—
(89)R — (89)L	1,060(41.73)	—
(90)R — (90)L	854(33.62)	—
(91)R — (91)L	854(33.62)	—
(93)R — (93)L	1,108(43.62)	—
(71)R — (73)L	926(36.46)	914(35.98)
(71)L — (75)R	1,241(48.86)	1,241(48.86)
(72)R — (73)L	918(36.14)	918(36.14)

Measuring point	Datum dimension mm (in)	Projected dimen- sions mm (in)
(72)L — (75)R	1,109(43.66)	1,103(43.43)
(73)L — (75)R	953(37.52)	944(37.17)
(75)R — (79)L	894(35.20)	889(35.00)
(79)L — (80)R	943(37.13)	943(37.13)
(79)L — (81)R	1,251(49.25)	1,251(49.25)
(80)R — (88)L	1,345(52.95)	1,345(52.95)
(81)R — (88)L	1,089(42.87)	1,088(42.83)
(88)L — (89)R	1,142(44.96)	1,139(44.84)
(88)L — (90)R	1,290(50.79)	1,274(50.16)
(89)R — (91)L	1,408(55.43)	1,401(55.16)
(90)R — (91)L	966(38.03)	965(37.99)
(89)R — (92)L	862(33.94)	862(33.94)
(89)R — (93)L	1,252(49.29)	1,251(49.25)
(91)L — (92)R	711(27.99)	698(27.48)
(91)L — (93)R	1,064(41.89)	1,058(41.65)



Body Reference Points

2. FRONT 1



BS-05921

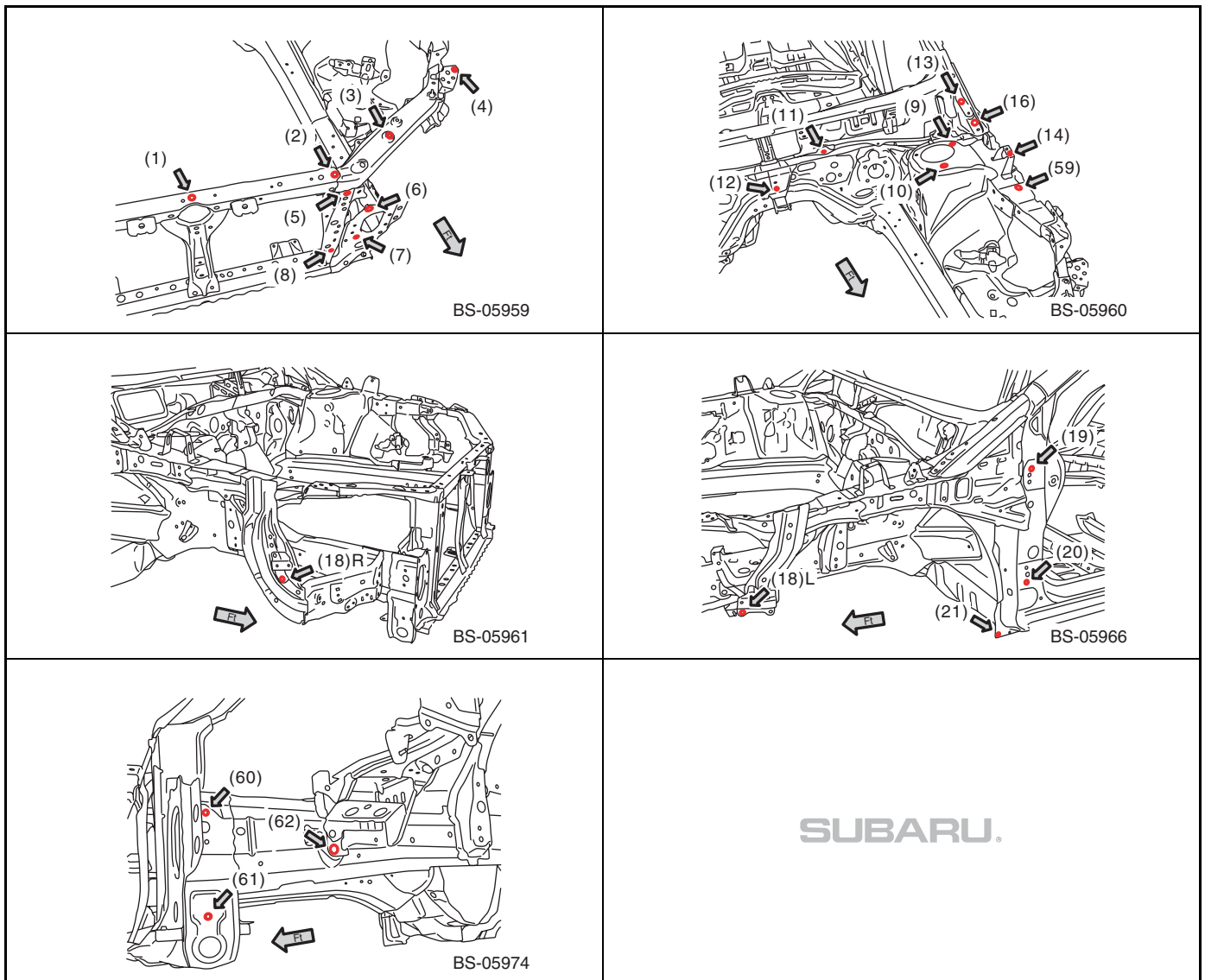
- | | | |
|--|---|---|
| (2) Radiator upper frame mounting hole (symmetrical) | (13) Hood hinge rear mounting hole (symmetrical) | (20) Front door hinge lower mounting hole (symmetrical), upper side |
| (4) Fender mounting hole (symmetrical) | (14) Fender mounting hole (symmetrical) | (21) Fender mounting hole (symmetrical) |
| (9) Front suspension mounting hole (symmetrical), rear outside | (16) Gauge hole (symmetrical) | (59) Frame upper regulation hole (symmetrical) |
| (10) Front suspension mounting hole (symmetrical), front | (18) Gauge hole (right side) R | (60) Keyless buzzer mounting hole (only LH) |
| (11) Bulkhead mounting hole (symmetrical) | (18) Gauge hole (left side) L | (61) Bracket intake duct mounting hole (only LH) |
| (12) Harness clip mounting hole (body center) | (19) front door hinge upper mounting hole (symmetrical), upper side | (62) Gusset front side mounting hole (only LH) |

Body Reference Points

Measuring point	Datum dimension mm (in)
(2)R — (11)L	1,026(40.39)
(4)R — (4)L	1,477(58.15)
(4)R — (12)	992(39.06)
(9)R — (9)L	1,258(49.53)
(9)R — (12)	635(25.00)
(10)R — (10)L	1,103(43.43)
(10)L — (12)	582(22.91)
(12) — (13)R	741(29.17)
(12) — (14)L	797(31.38)
(13)R — (13)L	1,451(57.13)
(14)R — (14)L	1,488(58.58)

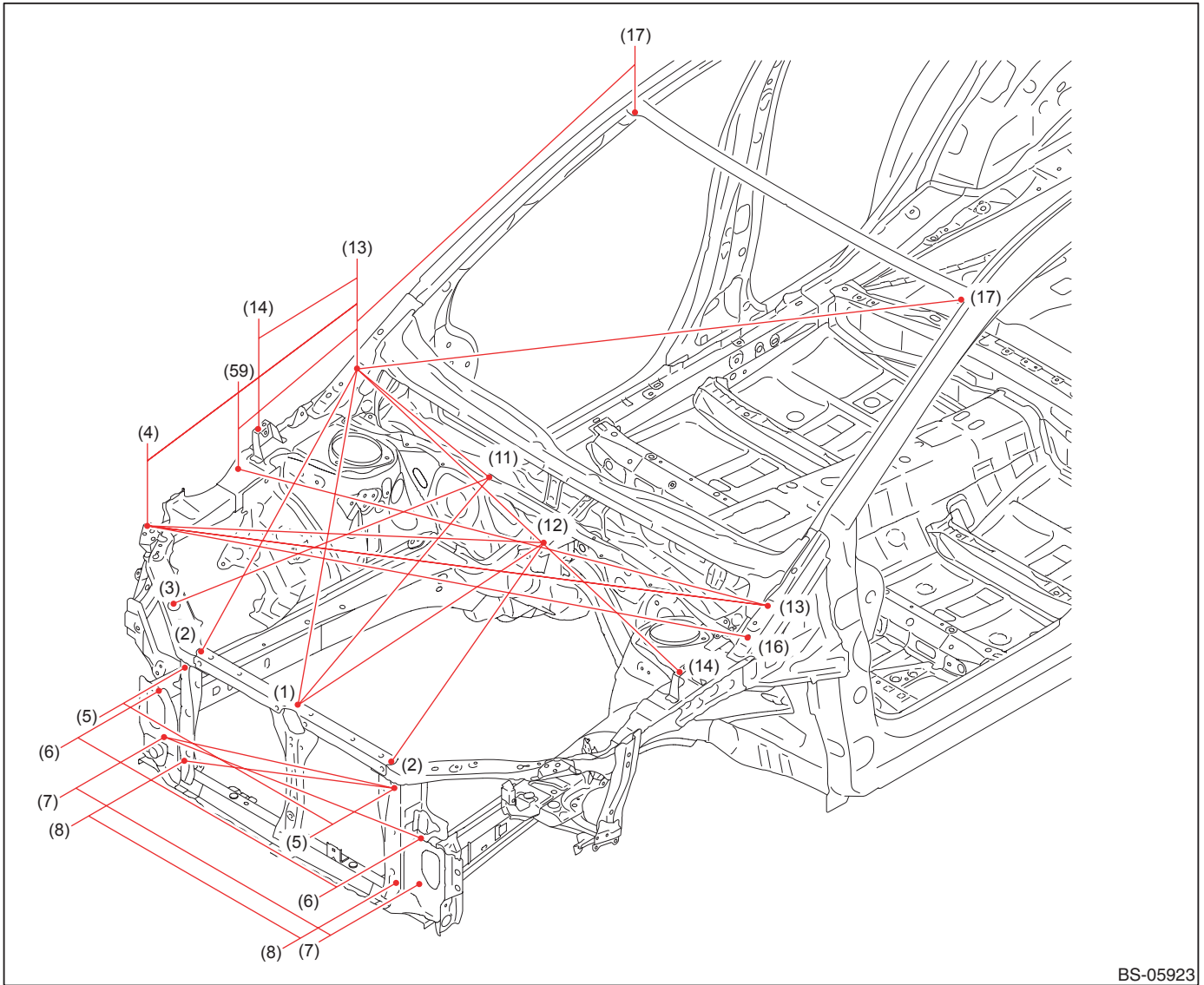
Measuring point	Datum dimension mm (in)
(16)R — (16)L	1,480(58.27)
(18)R — (19)R	932(36.69)
(18)L — (19)L	947(37.28)
(18)R — (20)R	922(36.30)
(18)L — (20)L	944(37.17)
(18)R — (21)R	941(37.05)
(18)L — (21)L	967(38.07)
(59)R — (59)L	1,480(58.27)
(60)L — (62)L	247(9.72)
(61)L — (62)L	261(10.28)

- Reference point (12) is the vehicle midpoint; reference point (18) is a right-left asymmetrical point; reference points (60), (61) and (62) are left side only points; and all other reference points are right-left symmetrical points.
- The dimensions are the actual dimensions between the reference points.



Body Reference Points

3. FRONT 2



BS-05923

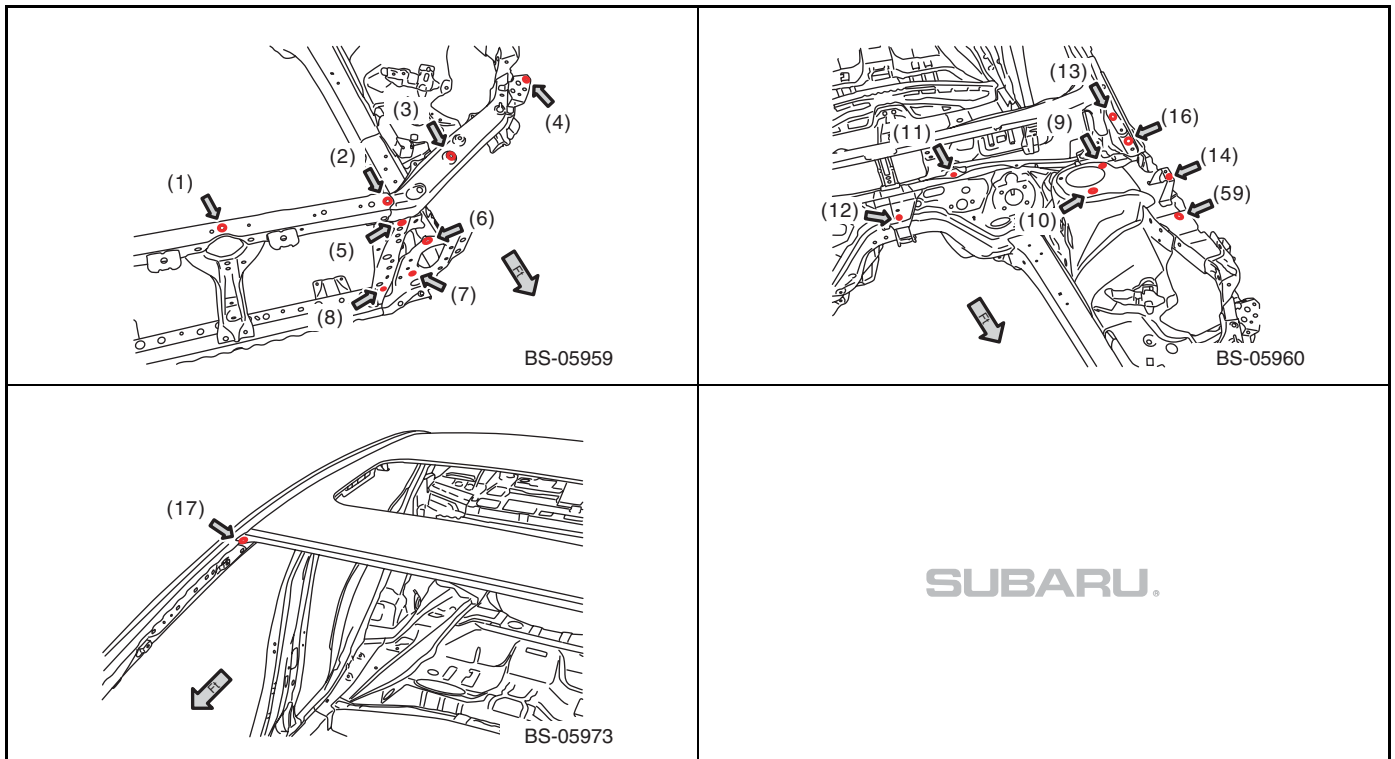
- | | | |
|--|--|--|
| (1) Repair location hole (body center) | (6) Bumper bracket mounting hole (symmetrical), upper side | (13) Hood hinge rear mounting hole (symmetrical) |
| (2) Radiator upper frame mounting hole (symmetrical) | (7) Bumper bracket mounting hole (symmetrical), lower | (14) Fender mounting hole (symmetrical) |
| (3) Headlight mounting hole (symmetrical) | (8) Bulkhead center lower mounting hole (symmetrical) | (16) Gauge hole (symmetrical) |
| (4) Fender mounting hole (symmetrical) | (11) Bulkhead mounting hole (symmetrical) | (17) Front glass installation reference hole (symmetrical) |
| (5) EA plate mounting hole (symmetrical) | (12) Harness clip mounting hole (body center) | (59) Frame upper regulation hole (symmetrical) |

Body Reference Points

Measuring point	Datum dimension mm (in)
(1) — (11)R	898(35.35)
(1) — (12)	871(34.29)
(1) — (13)R	1,199(47.20)
(2)L — (12)	939(36.97)
(2)R — (13)R	1,037(40.83)
(3)R — (11)R	872(34.33)
(4)R — (12)	992(39.06)
(4)R — (13)R	738(29.06)
(4)R — (13)L	1,639(64.53)
(4)R — (16)L	1,613(63.50)
(5)R — (5)L	740(29.13)
(5)L — (7)R	859(33.82)

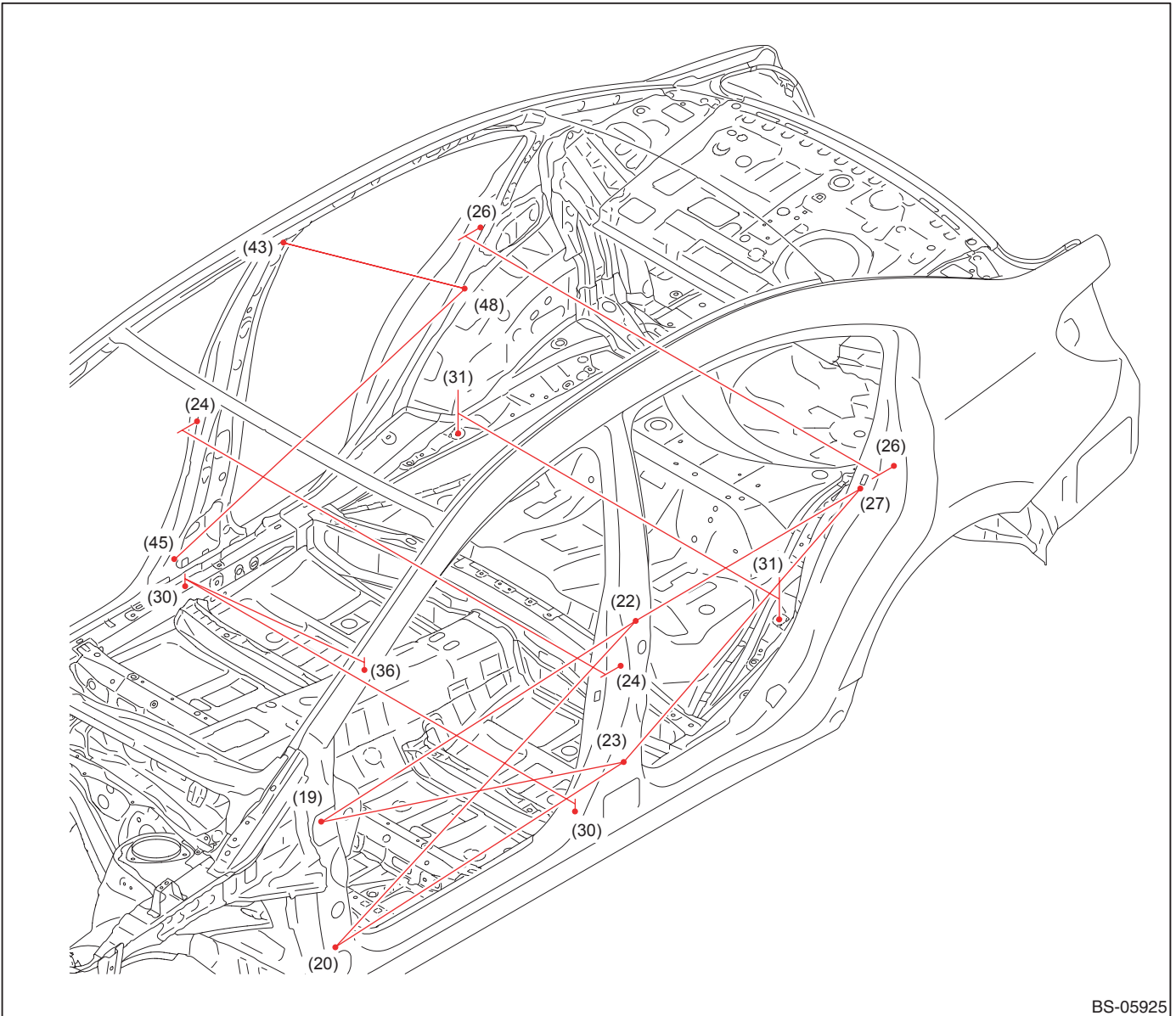
Measuring point	Datum dimension mm (in)
(5)L — (8)R	798(31.42)
(6)R — (6)L	914(35.98)
(6)L — (7)R	918(36.14)
(7)R — (7)L	900(35.43)
(8)R — (8)L	748(29.45)
(11)R — (13)R	546(21.50)
(13)R — (14)R	330(12.99)
(13)R — (14)L	1,506(59.29)
(13)R — (17)R	956(37.64)
(13)R — (17)L	1,608(63.31)
(13)R — (59)R	420(16.54)
(13)L — (59)R	1,524(60.00)

- The reference points (1) and (12) are at the body center, while the other reference points are left-right symmetrical.
- The dimensions are the actual dimensions between the reference points.



Body Reference Points

4. INSIDE COMMON PARTS 1



BS-05925

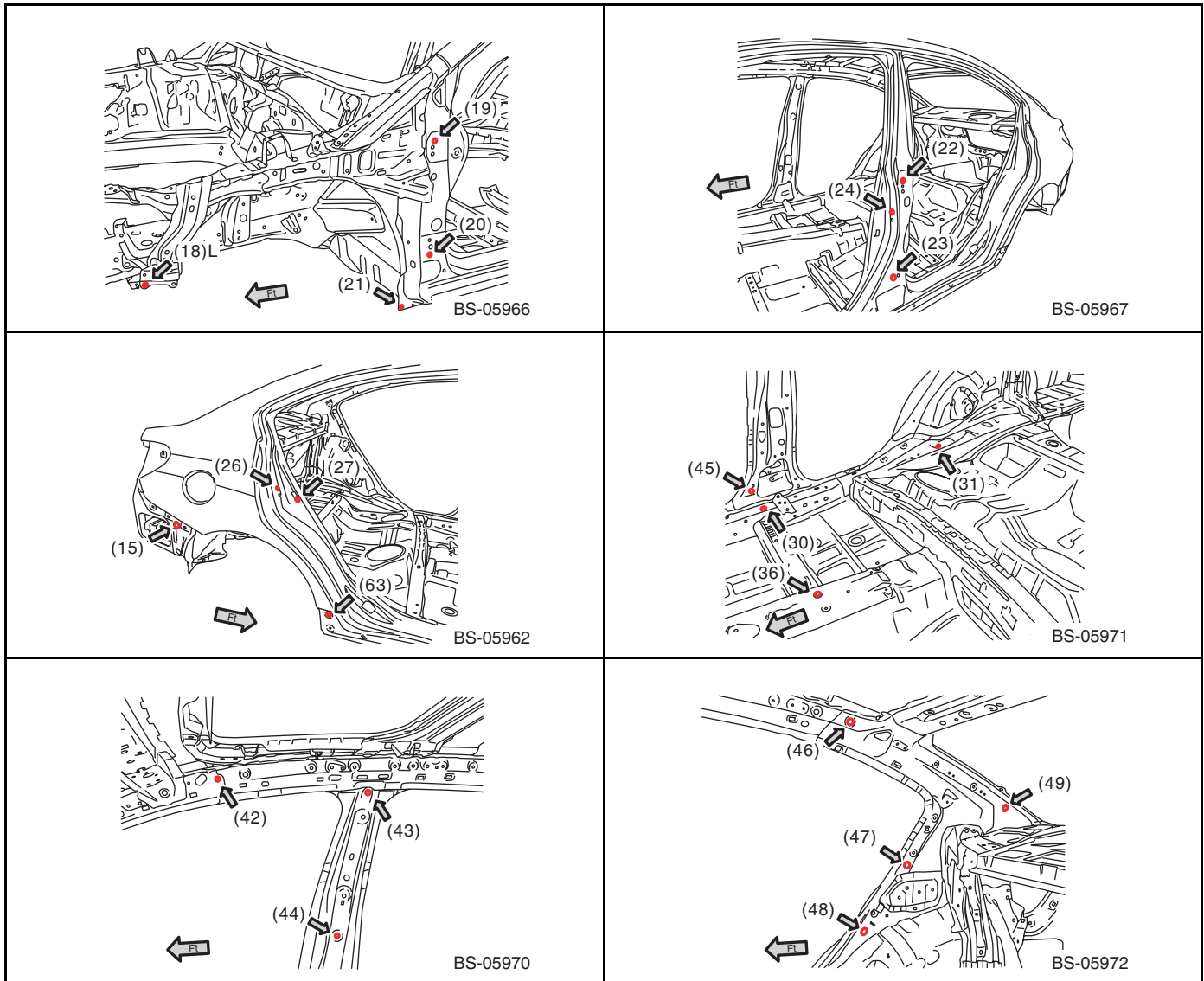
- | | | |
|---|--|---|
| (19) Front door hinge upper mounting hole (symmetrical), upper side | (26) Rear door striker mounting hole (symmetrical), upper side | (43) Trim clip mounting hole (symmetrical) |
| (20) Front door hinge lower mounting hole (symmetrical), upper side | (27) Rear door switch mounting hole (symmetrical) | (45) Trim Clip mounting hole (symmetrical) |
| (22) Rear door hinge upper mounting hole (symmetrical), upper side | (30) Harness clip mounting hole (symmetrical) | (48) Rear Airbag sensor mounting hole (symmetrical) |
| (23) Rear door hinge lower mounting hole (symmetrical), front | (31) Belt anchor mounting hole (symmetrical) | |
| (24) Front door striker mounting hole (symmetrical), upper side | (36) Harness holding Clip mounting hole (symmetrical) | |

Body Reference Points

Measuring point	Datum dimension mm (in)
(19)L — (22)L	1,140(44.88)
(19)L — (23)L	1,131(44.53)
(20)L — (22)L	1,199(47.20)
(20)L — (23)L	1,048(41.26)
(22)L — (27)L	883(34.76)
(23)L — (27)L	1,003(39.49)
(24)R — (24)L	1,529(60.20)

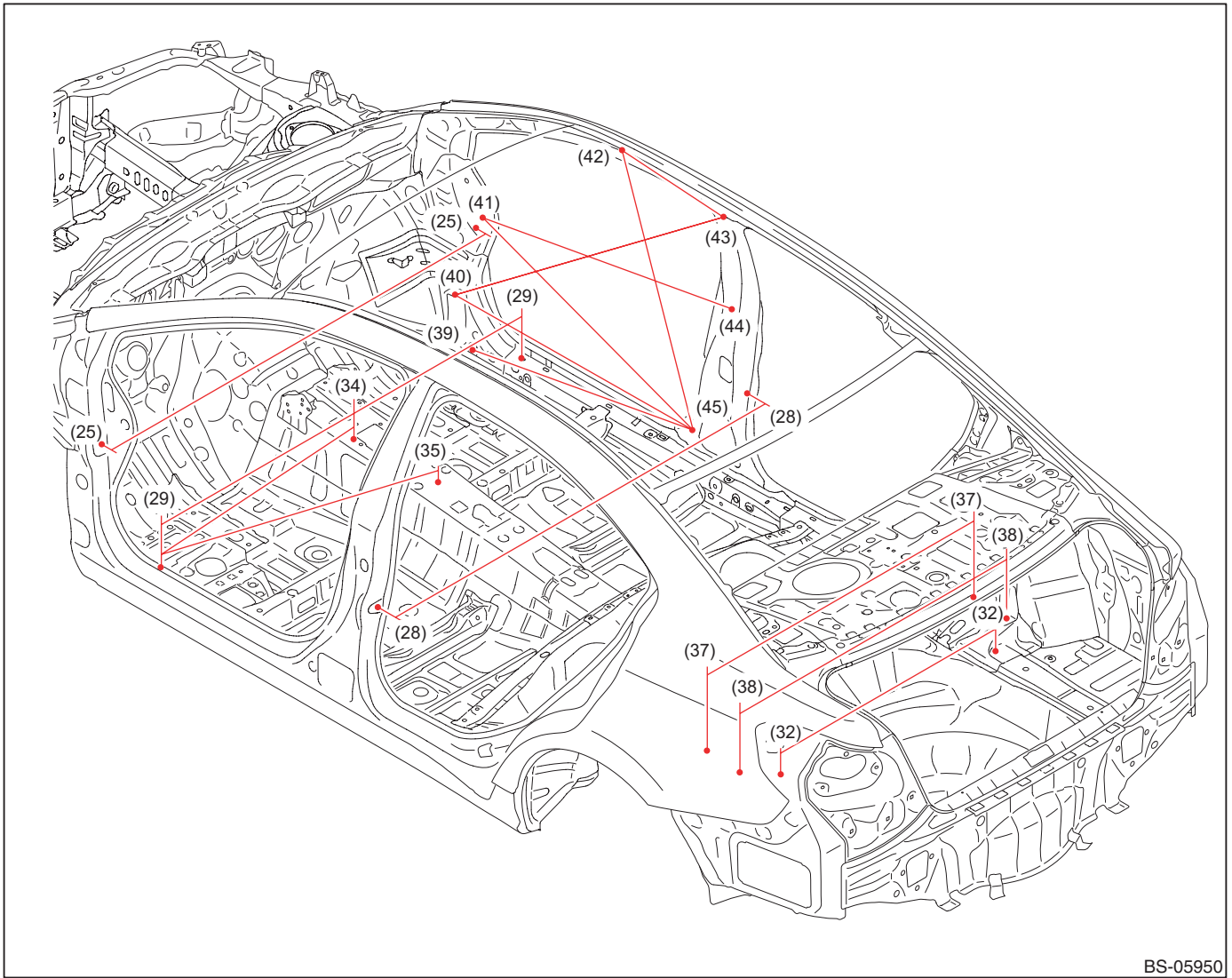
Measuring point	Datum dimension mm (in)
(26)R — (26)L	1,494(58.82)
(30)R — (30)L	1,409(55.47)
(30)R — (36)R	681(26.81)
(31)R — (31)L	1,160(45.67)
(43)R — (48)R	962(37.87)
(45)R — (48)R	1,080(42.52)

- All reference points are left-right symmetrical.
- The dimensions are the actual dimensions between the reference points.



Body Reference Points

5. INSIDE COMMON PARTS 2



BS-05950

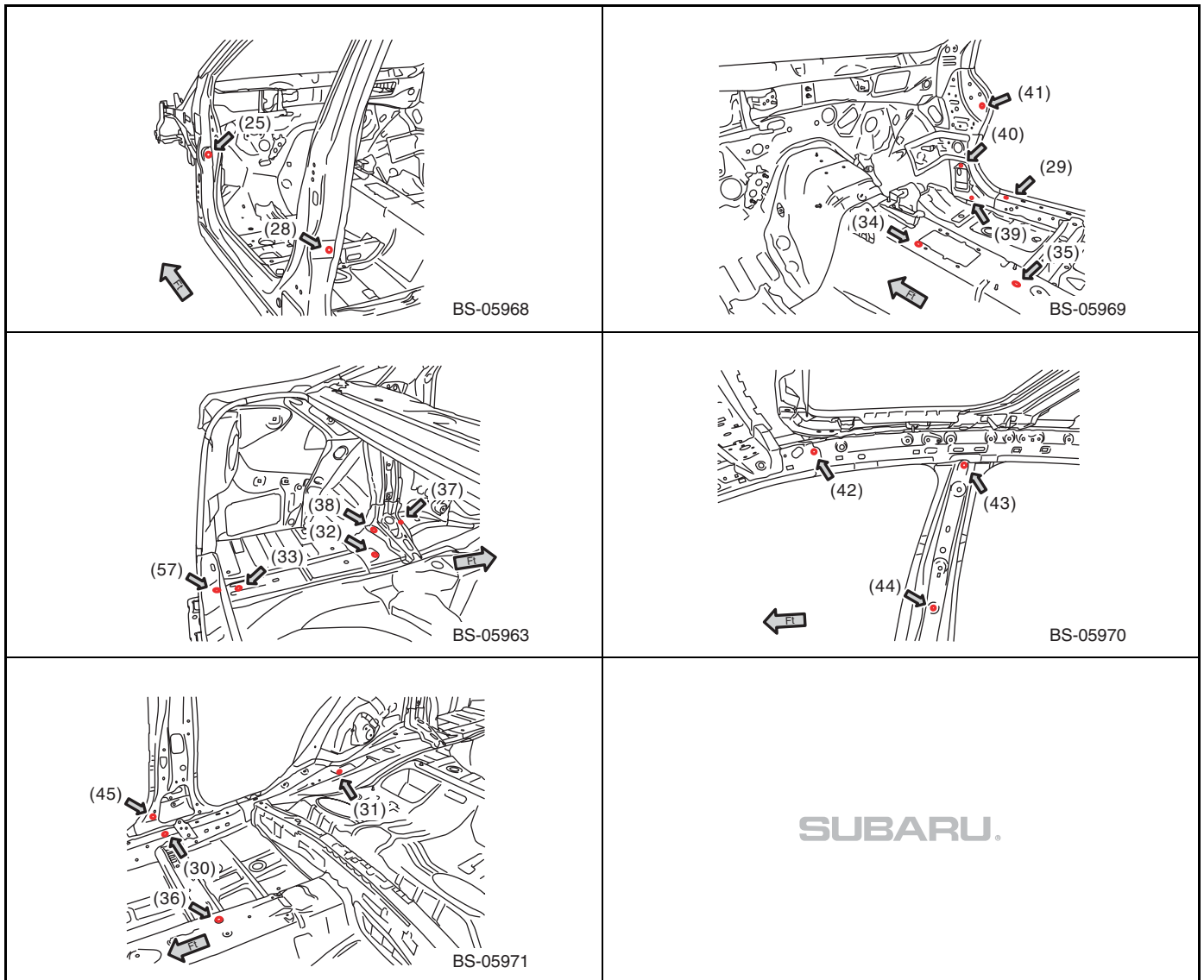
- | | | |
|---|---|---|
| (25) Front door checker mounting hole (symmetrical) | (37) Rear suspension mounting hole (symmetrical), front | (42) Assist bracket mounting hole (symmetrical) |
| (28) Rear door checker mounting hole (symmetrical) | (38) Rear suspension mounting hole (symmetrical), rear | (43) Trim clip mounting hole (symmetrical) |
| (29) Harness clip mounting hole (symmetrical) | (39) Gauge hole/Brake pipe mounting hole R | (44) Trim mounting hole (symmetrical) |
| (32) Gauge hole (symmetrical) | (39) Gauge hole/Fuel pipe mounting hole L | (45) Trim Clip mounting hole (symmetrical) |
| (34) Shift case mounting hole (symmetrical) | (40) Harness connectors mounting hole (symmetrical) | |
| (35) Hand brake mounting hole (body center) | (41) Steering beam mounting hole (symmetrical) | |

Body Reference Points

Measuring point	Datum dimension mm (in)
(25)R — (25)L	1,486(58.50)
(28)R — (28)L	1,469(57.83)
(29)R — (29)L	1,432(56.38)
(29)L — (34)L	689(27.13)
(29)L — (35)	821(32.32)
(32)R — (32)L	854(33.62)
(37)R — (37)L	1,059(41.69)
(38)R — (38)L	1,059(41.69)
(39)R — (45)R	849(33.43)

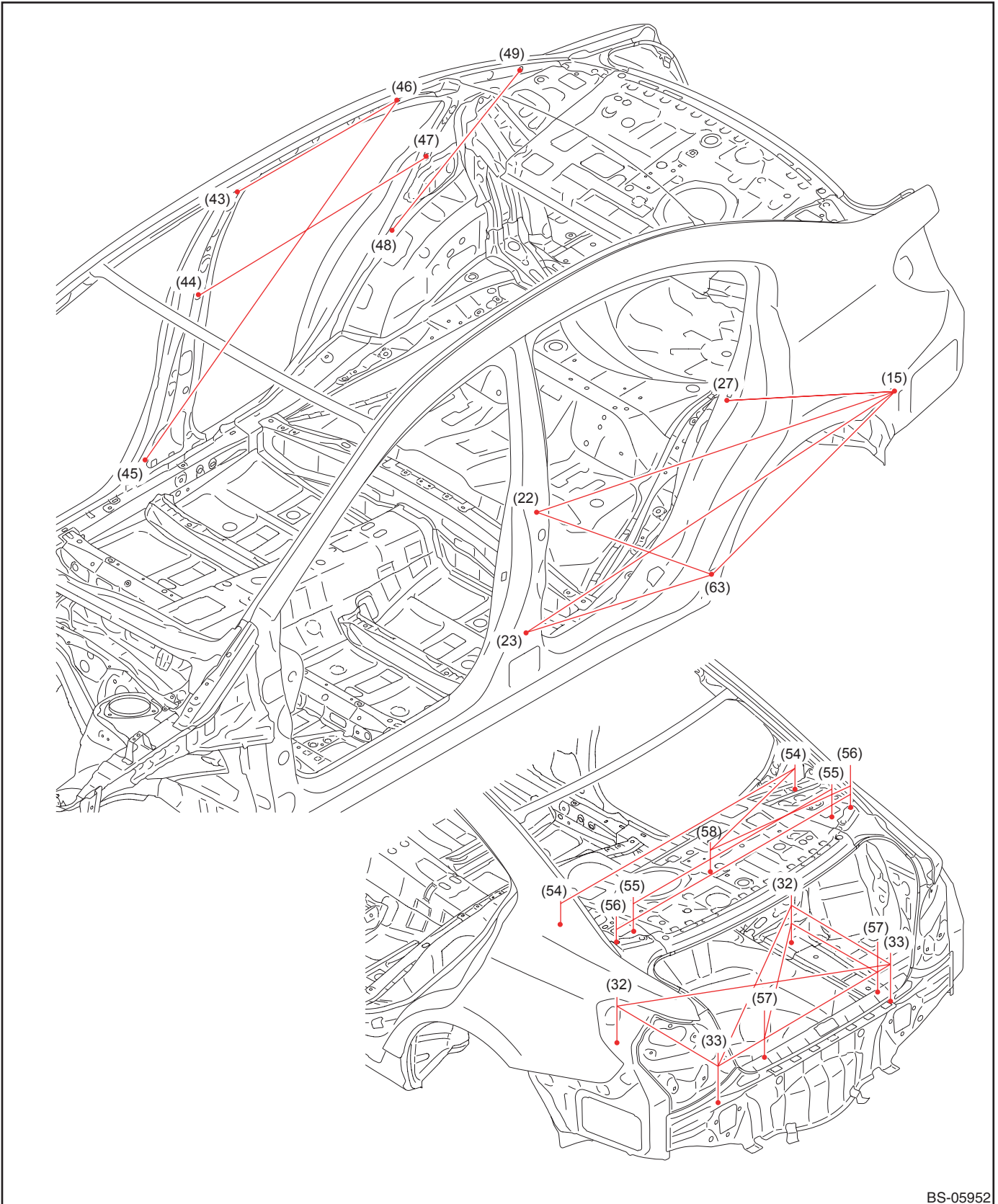
Measuring point	Datum dimension mm (in)
(40)R — (43)R	1,485(58.46)
(40)R — (45)R	915(36.02)
(41)R — (44)R	1,027(40.43)
(41)L — (44)L	1,027(40.43)
(41)R — (45)R	880(34.65)
(41)L — (45)L	880(34.65)
(42)R — (43)R	402(15.83)
(42)R — (45)R	981(38.62)

- Reference point (35) is the vehicle midpoint; and all other reference points are right-left symmetrical points.
- The dimensions are the actual dimensions between the reference points.



Body Reference Points

6. INSIDE REAR



BS-05952

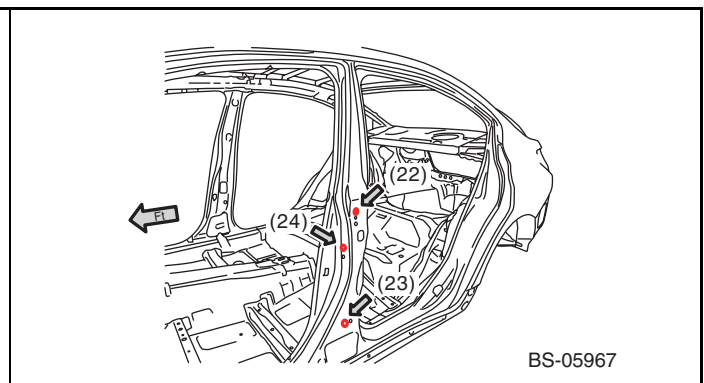
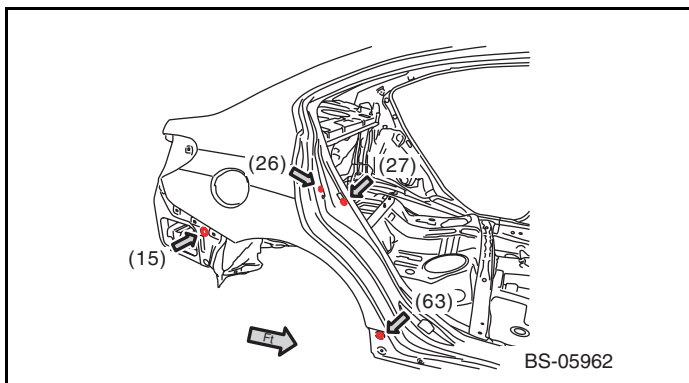
Body Reference Points

(15) Gauge hole (right side) R (15) Gauge hole (left side) L (22) Rear door hinge upper mounting hole (symmetrical), upper side (23) Rear door hinge lower mounting hole (symmetrical), front (27) Rear door switch mounting hole (symmetrical) (32) Gauge hole (symmetrical) (33) Gauge hole (right side) R	(33) Gauge hole (left side) L (43) Trim clip mounting hole (symmetrical) (44) Trim clip mounting hole (symmetrical) (45) Trim clip mounting hole (symmetrical) (46) Drain hose mounting hole (symmetrical) (47) Gauge hole (symmetrical) (48) Rear Airbag sensor mounting hole (symmetrical)	(49) Trim clip mounting hole (symmetrical) (54) Rear shelf mounting hole (symmetrical) (55) Rear shelf mounting hole (symmetrical) (56) Gauge hole (symmetrical) (57) Electrode position hole (symmetrical) (58) Child anchor mounting hole (body center) (63) Side spoiler mounting hole (symmetrical)
---	---	---

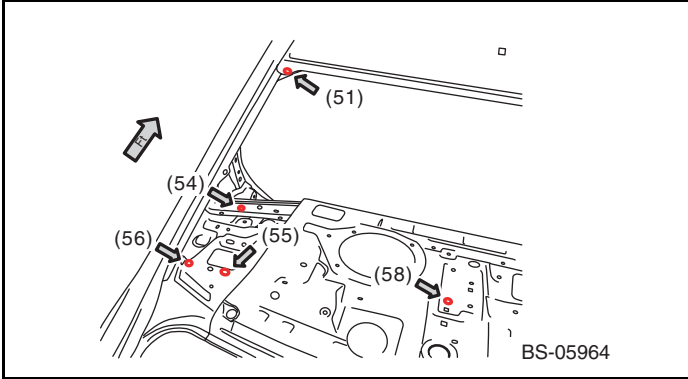
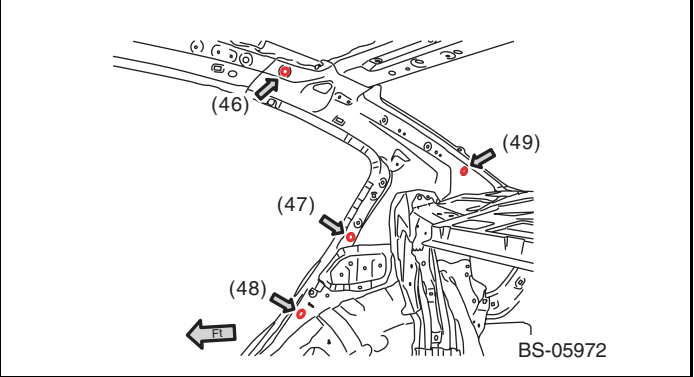
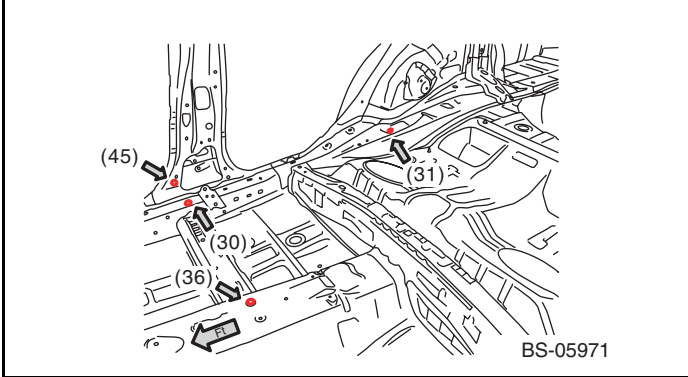
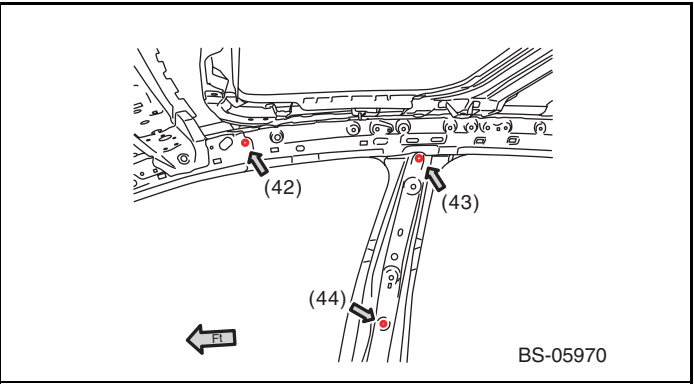
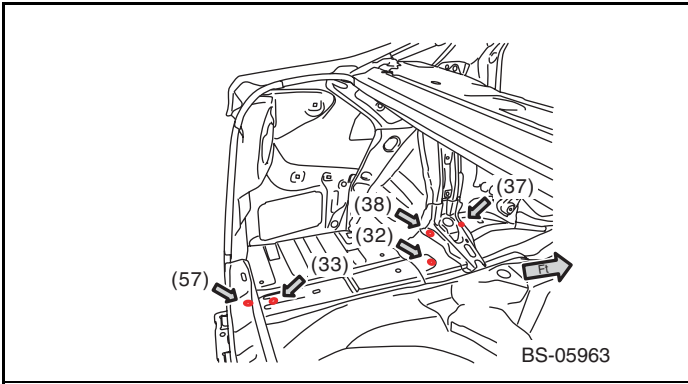
Measuring point	Datum dimension mm (in)
(15)R — (63)R	853(33.58)
(15)L — (63)L	840(33.07)
(22)R — (15)R	1,484(58.43)
(22)L — (15)L	1,473(57.99)
(23)R — (15)R	1,534(60.39)
(23)L — (15)L	1,521(59.88)
(27)R — (15)R	627(24.68)
(27)L — (15)L	618(24.33)
(43)R — (46)R	642(25.28)
(44)R — (47)R	964(37.95)
(45)R — (46)R	1,331(52.40)
(48)R — (49)R	618(24.33)
(22)L — (63)L	838(32.99)

Measuring point	Datum dimension mm (in)
(23)L — (63)L	729(28.70)
(32)R — (57)R	610(24.02)
(32)R — (57)L	920(36.22)
(32)R — (33)R	485(19.09)
(32)R — (33)L	987(38.86)
(32)L — (33)R	982(38.66)
(32)L — (33)L	495(19.49)
(33)R — (33)L	854(33.62)
(54)R — (54)L	1,147(45.16)
(54)R — (58)	595(23.43)
(55)R — (55)L	972(38.27)
(56)R — (56)L	1,146(45.12)
(56)R — (58)	585(23.03)

- Reference point (58) is the vehicle midpoint; reference point (15), (33) is a right-left asymmetrical point; and all other reference points are right-left symmetrical points.
- The dimensions are the actual dimensions between the reference points.

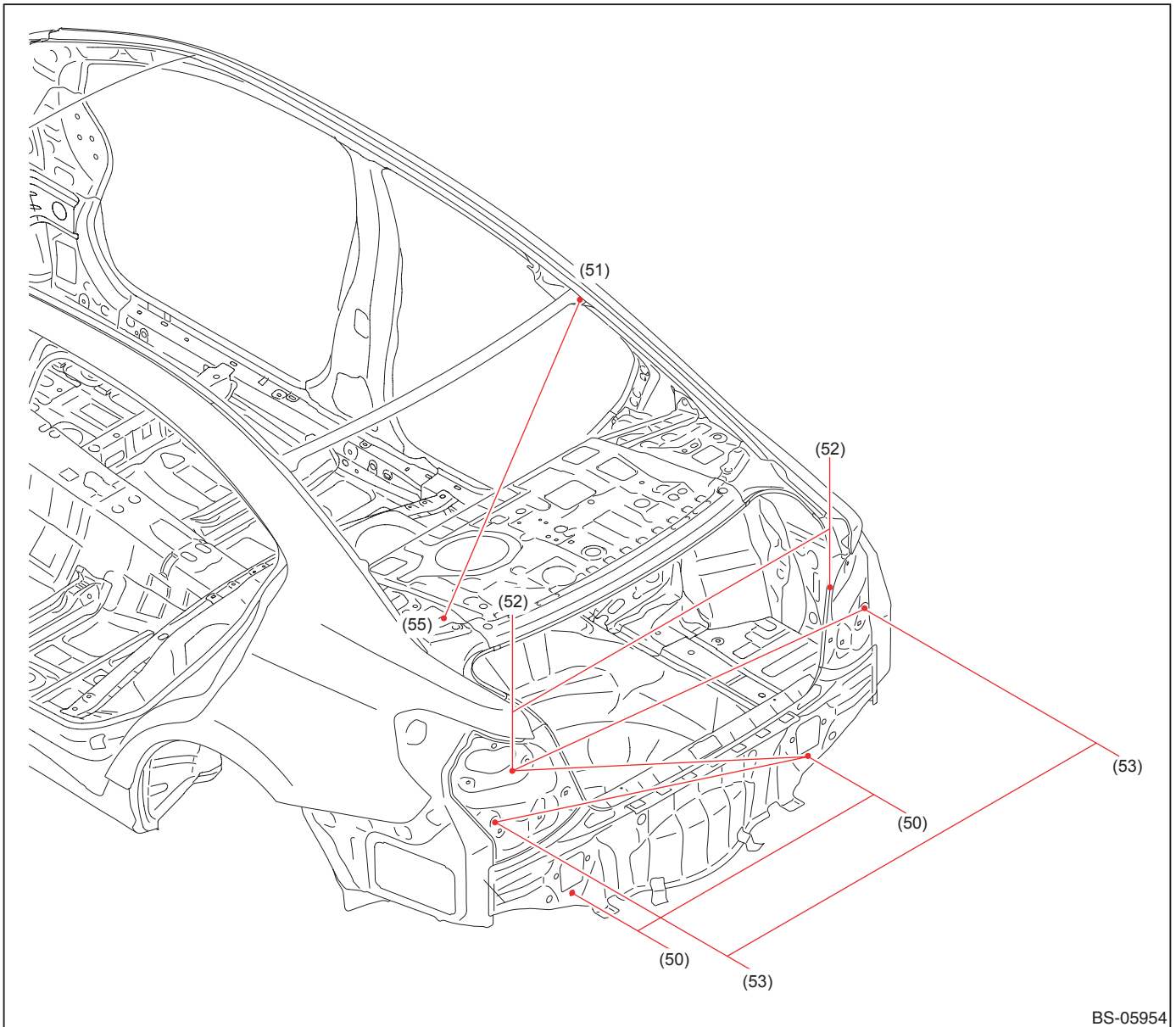


Body Reference Points



Body Reference Points

7. REAR



BS-05954

- | | | |
|---|---|---|
| (50) Bumper beam mounting hole (symmetrical) | (52) Rear combination light mounting hole (symmetrical) | (55) Rear shelf mounting hole (symmetrical) |
| (51) Rear glass installation reference hole (symmetrical) | (53) Rear bumper mounting hole (symmetrical) | |

Measuring point	Datum dimension mm (in)
(50)R — (50)L	854(33.62)
(50)R — (52)L	1,088(42.83)
(50)R — (53)L	1,142(44.96)
(51)R — (55)L	1,155(45.47)

Measuring point	Datum dimension mm (in)
(52)R — (52)L	1,148(45.20)
(52)L — (53)R	1,246(49.06)
(53)R — (53)L	1,335(52.56)

- All reference points are left-right symmetrical.
- The dimensions are the actual dimensions between the reference points.

Body Reference Points

